

St. Ursula Girls' High School & Jr. College Nagpur
Final Examination 2020

Time : 2.00 hr.)

Class : VI Subject : Maths

(Marks : 40

Section : A+B+C+D+E+F

Q. 1 (A) Choose the correct alternative for each of the following questions (5)

1. A triangle with all three sides equal is called on _____

- a) Scalene triangle
- b) equilateral triangle
- c) isosceles triangle

2. The sum of a certain number and 3 is

- a) $a + b$
- b) $3 + 3$
- c) $x + 3$

3. An angle of 90° is called angle

- a) zero
- b) Right
- c) Acute

4. Profit = -

- a) Loss - profit
- b) cost price - selling price
- c) selling price - cost price

5. Equivalent fraction can be used to make the denominator

- a) 25
- b) 100
- c) 10%

Q. 1 B) Solve any three of the following (3)

1) Solve the Equations

a) $y - 5 = 1$

b) $8 = t + 5$

2) Find the ratio of the first number to the second

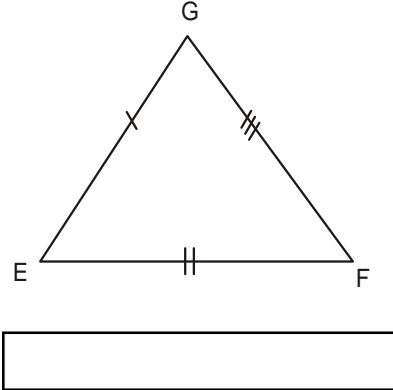
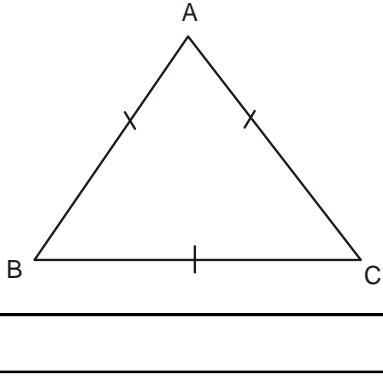
24 - 56

3) What types of triangles they are

1) 3cm, 4 cm, 5 cm

4) A shopkeeper bought a bicycle for Rs. 3000/- and sold the same for Rs. 3400/- How much was his profit C

5) Observe the figures Below and write the types of the triangle Based on its sides.



Q. 2 A) Solve (perform the activities) Any 2

(4)

1) Name of squares	<div style="border: 1px solid black; width: 40px; height: 20px; margin: 0 auto;"></div>	<div style="display: inline-block; border: 1px solid black; width: 30px; height: 20px; margin-right: 10px;"></div> <div style="border: 1px solid black; width: 30px; height: 20px;"></div>
Number of sticks		

2) Write the number of faces edges and vertices of each shape in the table

Name	Cylinder	Cone
Shape		
Faces	<div style="border: 1px solid black; width: 60px; height: 20px;"></div>	<div style="border: 1px solid black; width: 60px; height: 20px;"></div>
Vertices	<div style="border: 1px solid black; width: 60px; height: 20px;"></div>	<div style="border: 1px solid black; width: 60px; height: 20px;"></div>
Edges	<div style="border: 1px solid black; width: 60px; height: 20px;"></div>	<div style="border: 1px solid black; width: 60px; height: 20px;"></div>

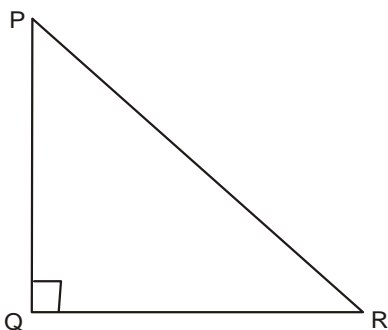
3) The cost price and selling price are given in the following table find out whether there was a profit or a loss and How much it was.

Ex.	Cost price	Selling price	Profit / Loss	How much
1.	4500	5000		
2.	4100	4090		

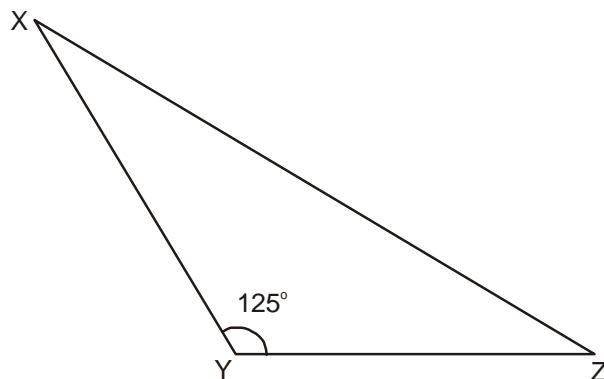
Q. 2 B) Solve the following (any 2)

(4)

- 1) At a rate of 10 p.c.p.a. what would be the interest for one year on 6000
- 2) Observe the figures Below and write the type of the triangle Based on its angles.



1) ΔPQR is triangle



2) ΔXYZ is triangle

- 3) Shabana scored 736 marks out of 800 in her exams. What was the percentage she scored?
- 4) Draw a line AB. Using a compass draw a line perpendicular to AB at the point B.

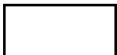
Q. 3 Solve the following (any 4) (12)

1) In the table below, write the number of sides the polygon has

Name	Quadrilateral	octagon	pentagon
Number of Sides			

- 2) Find the ratio of the first quantity to the second.
 - 1) 25 beads, 40 beads
 - 2) 30 litres, 24 litres
 - 3) 40 Rupees, 120 Rupees
- 3) Maganlal bought trousers for Rs. 400 and a shirt for Rs. 200 and sold them for Rs. 448 and Rs. 250. Respectively, which of these transactions was more profitable?
- 4) The length of the sides of some triangle are given. Say what types of triangle they are.
 - a) 3.4 cm, 3.4 cm, 5 cm
 - b) 4.3 cm, 4.3 cm, 4.3 cm
 - c) 5cm, 5 cm, 4 cm
- 5) 30 Cricket players and 20 kho-kho players are training on a field. What is the ratio of cricket players to the total number of players?

Q. 4 Solve the following (Any 3) (12)

- 1) Mayanlal bought trousers for Rs. 400 and shirt for Rs. 200 and sold them for Rs. 448 and Rs. 250 respectively. Which of these transactions was more profitable?
- 2) Draw  XYZW and name the following
 - 1) The pairs of opposite angles
 - 2) The pairs of opposite sides
 - 3) The pairs of adjacent sides
 - 4) The diagonals of the quadrilateral
- 3) From a Wholesaler, Santosh bought 400 eggs for Rs. 1500 and spent Rs. 300 on transport. 50 eggs fell down and broke. He sold the rest at Rs. 5 each. Did he make a profit or a loss? How much?
- 4) Draw Line AB take point M anywhere outside the line. Using a compass and ruler, draw a line MN perpendicular to line AB.

